



Balcony glazing system ALT 100

ALT100 system is designed for balcony glazing and protecting balconies and terraces from wind and rain, noise and dust. It improves acoustical conditions and contributes to comfort and coziness.

The system includes moldings for fabrication of sliding, swing and fixed glazing. All the profiles can be combined with and adjusted to each other using corner adapters and connectors. Insect screens are available for installation together with ALT 100 system.

The system is easy to assemble and does not require expensive equipment for fabrication.

ALT100 Balcony glazing system



Product information

Visible width	Sliding sash	2" (50 mm)
	Casement window	2 ⁵ / ₁₆ " (58,4 mm)
Mounting depth	Fixed part	1 ⁵ / ₈ " (40 mm)
	Two-track frame	2 ³ / ₈ " (60 mm)
	Three-track frame	3 ⁹ / ₁₆ " (90 mm)
	Casement and fixed	1 ⁵ / ₈ " or 2 ³ / ₈ " (40 or 60 mm)

System components and color options

- **Aluminum extrusions**
EN AW 6063 T6 AlMgSi F20
- **Gaskets**
EPDM DIN 7863
- **Joints**
Corner connectors made of aluminum alloy, steel self-drilling screws, plastic plates
- **Coating**
Qualicoat grade powder coating, over 200 RAL colors. Qualanod grade anodizing, 9 colors

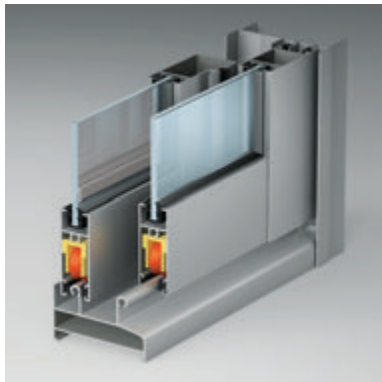
Balcony
Glazing
System

ALT
100

ALT100 System overview

Features

- ALT100 series offers moldings for manufacturing of sliding, casement and fixed windows
- Allows to make connection of a sliding part to a fixed or casement one from both sides, and to a fixed part from the top and the bottom
- Corner adapter moldings make it possible to find the best solution for any project



Sliding sash

Features:

- reasonable use of balcony space;
- possibility to glaze a narrow balcony with wide panels;
- comfort and safe balcony maintenance



Casement

Features:

- glazing options from $\frac{5}{32}$ " up to $\frac{23}{32}$ " (4-18 mm);
- horizontal dividers for windows are available
- reinforced moldings for doors



Fixed part

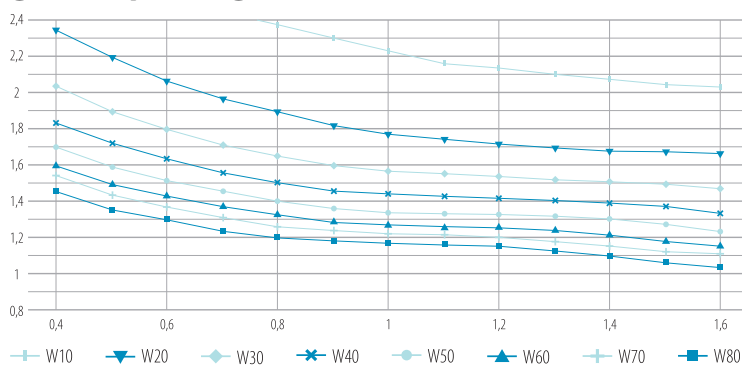
Features:

- glazing options from $\frac{5}{32}$ " up to $\frac{23}{32}$ " (4-18 mm);
- horizontal dividers for windows are available;
- narrow frame width (up to $1 \frac{5}{8}$ " [40 mm]);
- easy to assemble

Options

- wide ($2 \frac{3}{8}$ " [60 mm]) and narrow ($1 \frac{5}{8}$ " [40 mm]) frame
- $1 \frac{1}{2}$ " (38 mm) cost effective type of extrusion for sliding panels is available
- availability of two ($2 \frac{3}{8}$ " [60 mm] wide) and three ($3 \frac{9}{16}$ " [90 mm] wide) tracks frame extrusions
- three standard colors: RAL9016 (white), RAL9017 (brown), A00-D6 (silver)

Sash parameters selection diagram depending on Wh



Advantages

- Dovetail shape of sash allows easy adjustments and provides quick installation of the striker under the lock catch without milling
- Offers installation of horizontal dividers for sliding sash
- Low low threshold available